

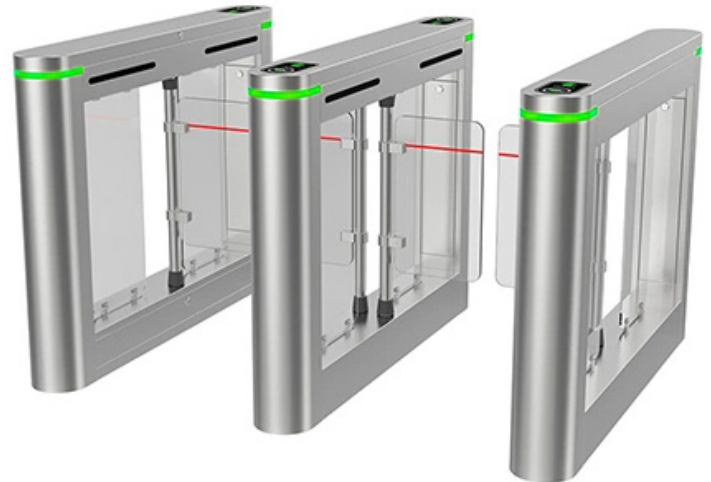
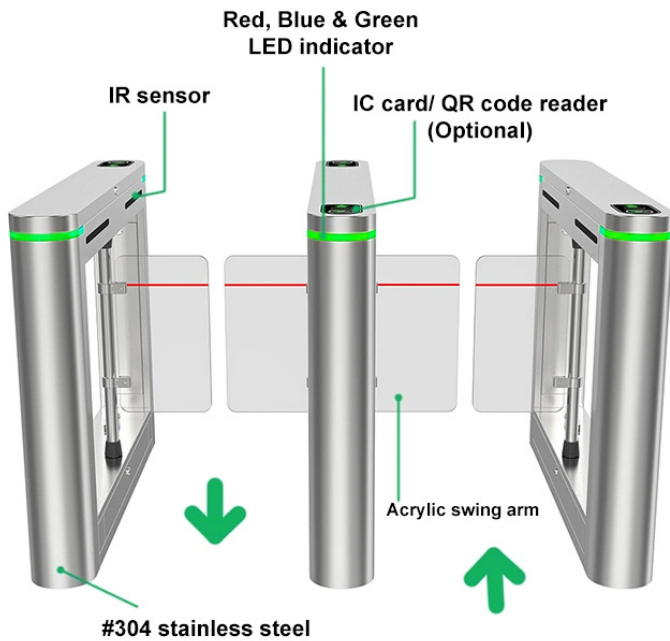
## **SPEED GATE**

BSMST-M004

Wise Neosco Co. Ltd. is a Korea-Based Organization established in 2001 and has multiple offices world-wide.

**Wise Neosco are identified as an OEM's (Original Equipment Manufacturer), and service provider of Speed Gate, P Gate, baggage scanner, Door Frame metal Detector (DFMD), Hand Handle Metal Detector(HHMD) & Access Control System and its Accessories**

# Speed Gate - BSMST-M004



ACCURACY



ECO



SERVICE



The implementation of a physical access control system is an essential aspect of facility security. By blocking the entry of outsiders, companies can prevent unauthorized entry and restrict access only to authorized persons, resulting in better user counting and access control. With the help of an access control system, companies can create a comfortable atmosphere within the workplace, knowing that only authorized personnel have access to the premises.

Access control systems also play a critical role in facility operations. By providing information about the access status of facility workers, companies can create a more efficient operation plan. Managers can determine which areas are being accessed the most, identify areas that require additional security, and even track the attendance of employees. In summary, access control systems are an essential component of modern facility security, providing a range of benefits that enhance safety, security, and productivity within the workplace.

## Features

- Enhanced Security Support
- Slim & Good Design
- Disable Person Wheelchair pass assistance
- CI \* UI Identify assistance
- Low noise & Fast operation speed
- User friendly to everyone
- Minimal footprint
- Greater user safety, Fire alarm connection, safety sensors
- Seamless security barrier
- Length & width versatility (customized also available as per client required)

# The Ideal Solutions for:



Railways



IT Parks



Seaports



Temples



Malls



Defence



Banks



Airports

Parameter	Specifications
Model	BSMST-M004
Response Time of Sensors	< 0.5s
Speed of Opening/Closing	< 0.5s
Maximum Throughput	40 people/min
Lane Width (Customized)	600~900mm*
Operating Temperature Range	-10°C to +55°C
Voltage	AC 100-240V, 50-60Hz
Material	Stainless steel (304)
Wing Material	Polycarbonate/Acrylic
Noise Level	< 50dB
Durability	High 10+ Years*
Anti-tailgating	Supported
Anti-collision	Supported
Customization Options over Wing	Yes
Customization Options	Available
Authentication Methods	RFID, biometric, facial recognition, Bar Code, RS-232, QR Code etc
Compatibility with Third-Party Access Control Systems	Yes
Type of Drive	DC Servo Motor
Dimensions (L x W x H)	1400 x 185 x 1000 mm
Wing Height	850 mm with Client customized Logo
Weight	60 kg*
Sign In/Out	LED DOT
Origin	Wise Neosco Korea

WISSE  
neosco

## KOREA

### Head Office

150, Jojeong-daero, Hanam-si,  
Gyeonggi-do, Korea

### Telephone

+82 317901390

### Website

[www.neosco.co.kr](http://www.neosco.co.kr)

### Research Laboratory

Hoegokri 43, Seorak-myeon,  
Gapyeong-gun, Gyeonggi-do, Korea

### Fax

+82 317901390



SCAN CODE TO  
VIEW PRODUCT

## INDIA

### Head Office

Plot no. 24, Ecotech 6, Near Bhati Chowk,  
Kasna Greater Noida, U.P. INDIA (201310)

### Email ID

[info@wiseneoscoindia.co](mailto:info@wiseneoscoindia.co)

### Telephone

+91 120 690 9565

### Website

[www.wiseneoscoindia.com](http://www.wiseneoscoindia.com)